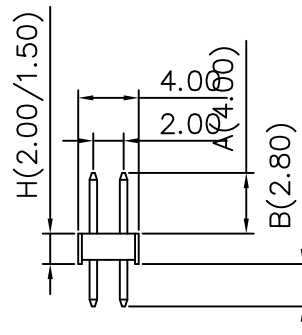
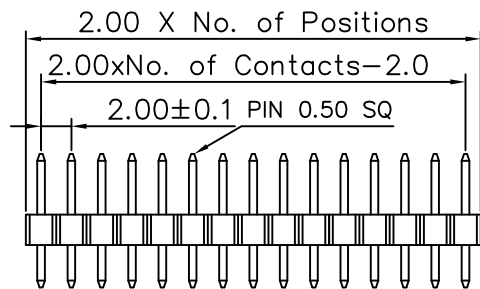
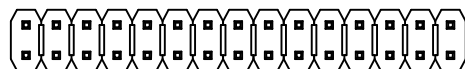


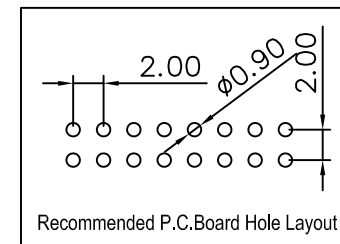
REV NO.	REVISION NOTE	REVISER	DATE
V0	NEW DRAWING		2023/01/06

打印日期:2023/1/7 14:53:43



SPECIFICATIONS

Current Rating:2AMP
 Contact Resistance:20mΩ Max
 Insulation Resistance:1000MΩ Min
 Withstand Voltage:500V AC/minute
 Operation Temperature:-40℃ to +105℃
 Contact Material: Brsaa
 Contact Plating:Au or Sn over 50 μ "Ni
 Insulator Material:Polyester(UL94V-0)
 Standard:PA46



B

B

A

A

		深圳市新世联电子有限公司				
Http://www.cisconn.com		TEL:+86(755)29912370 FAX:29912372				
Tolerance Unless Otherwise Specified	Title	PH2.0排针 双排单塑 180度				
.X ~ ±0.30		Units	Scale	REV NO.	Material No.	
.XX ~ ±0.25		mm	4:1	V0	xxxx-xxxx-xxx-xx	
.XXX ~ ±0.20		Drawing By	Date	Reviewed By	Date	Approvai By
Angle ~ ± 3°		设计人	2023/01/06			